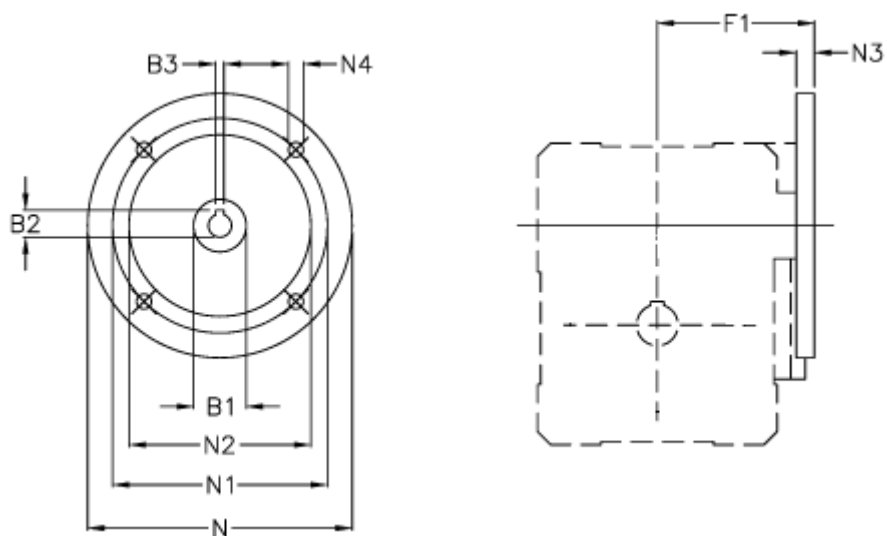


Article number: 3971192820021

Description: IEC flange W110 100B14/112B14

## Measures



F1 = 151

N = 160

N1 = 130

N2 = 110

N3 = 13

N4 = 9